



ADA Compliant  
Self-Closing

# Model S4H-2

Order Verification Form

SIDE MOUNT HANDLE

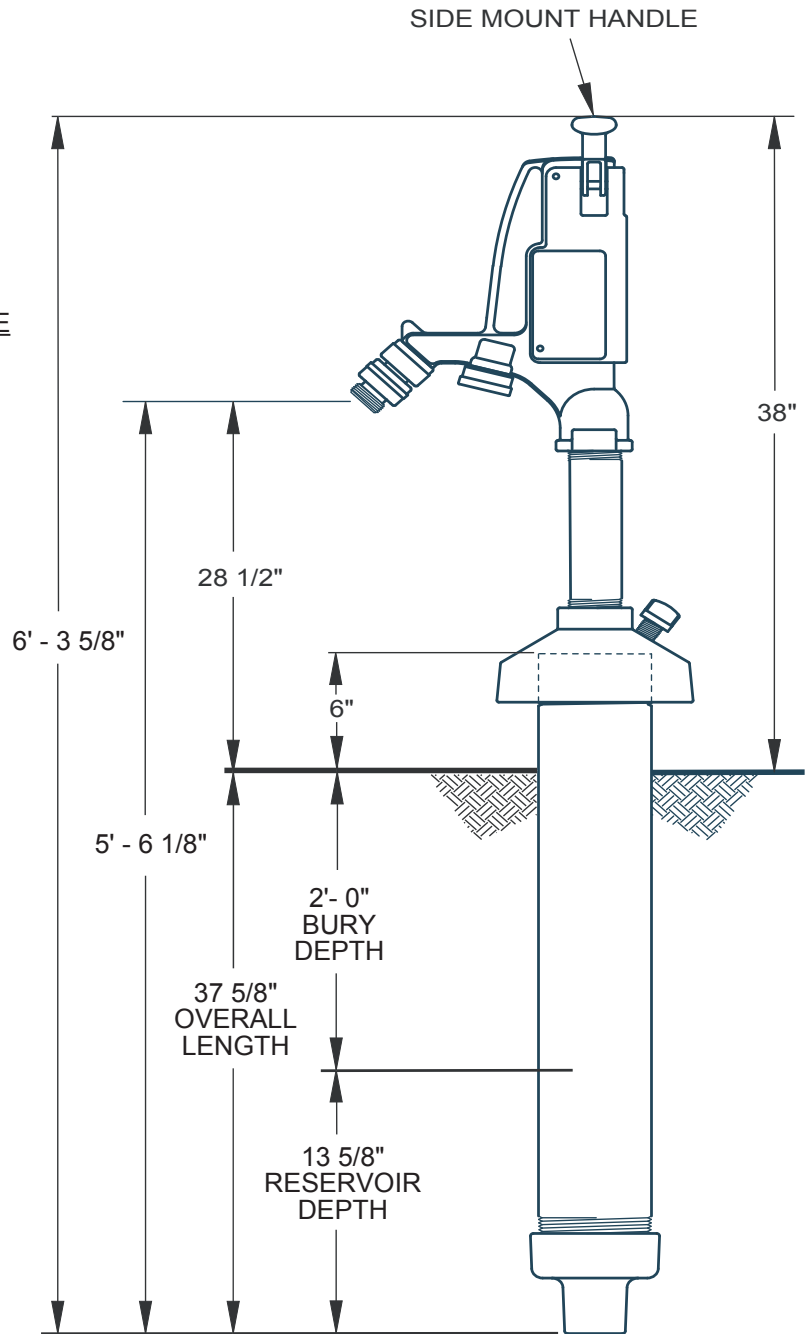
CUSTOMER,

VERIFICATION MUST BE RECEIVED BEFORE  
ORDER CAN BE ENTERED FOR SHIPMENT.

PLEASE SIGN TO VERIFY  
S4H-2 FT. BURY  
MEETS YOUR REQUIREMENTS.

Customer Signature

Please print name and return to  
Woodford Mfg. FAX: 800-765-4115  
Email: Sales@WoodfordMfg.com



## WOODFORD MANUFACTURING COMPANY

Sales Office:  
2121 Waynoka Road, Colorado Springs, Colorado 80915

Phone:  
(800) 621-6032 Fax: (800) 765-4115