

INSTALLATION INSTRUCTIONS



For more information contact...

WOODFORD MANUFACTURING COMPANY

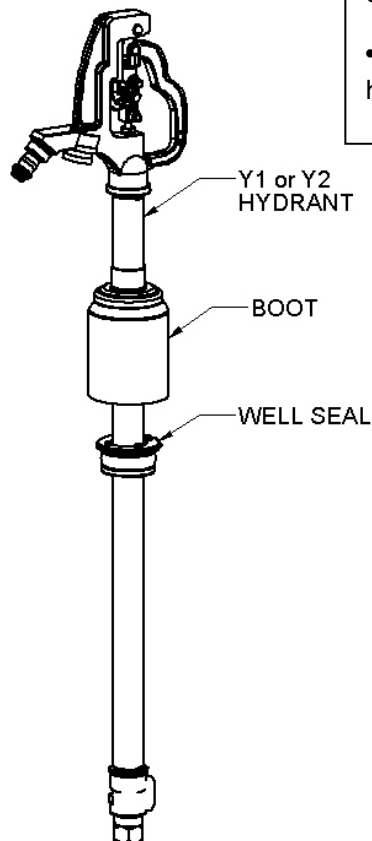
2121 Waynoka Road, Colorado Springs, Colorado 80915 • Phone: (800) 621-6032 • Fax: (800) 765-4115

To view our complete product line visit: www.woodfordmfg.com or email: sales@woodfordmfg.com

A Division of WCM Industries, Inc.

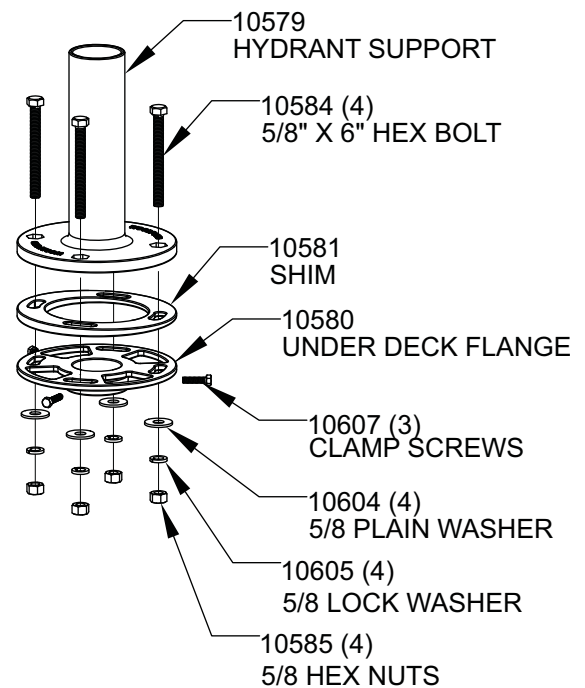
RHY1 or RHY2 Roof Hydrant

Rev 06/10 Form No. IIRH.102



• The complete RHY1-MS or RHY2-MS Hydrant with Mounting System will be received in 2 separate cartons. See carton contents below.

• Both cartons are required to complete the Roof hydrant installation.



**RHY1-MS or
RHY2-MS (Shown)
Complete Roof Hydrant
Mounting System
includes both cartons 1
and 2.**

**CARTON 1
RHY1 or
RHY2 (Shown)
CONTENTS**

- Y1 or Y2 Hydrant
- Well Seal
- Boot

**CARTON 2
RH-MS
CONTENTS**

- Hydrant Support – cast iron
- 2" Shim – cast iron
- Under Deck Flange – cast iron
- Mounting Bolts, Nuts & Washers

INSTALLATION INSTRUCTIONS



For more information contact...

WOODFORD MANUFACTURING COMPANY

2121 Waynoka Road, Colorado Springs, Colorado 80915 • Phone: (800) 621-6032 • Fax: (800) 765-4115

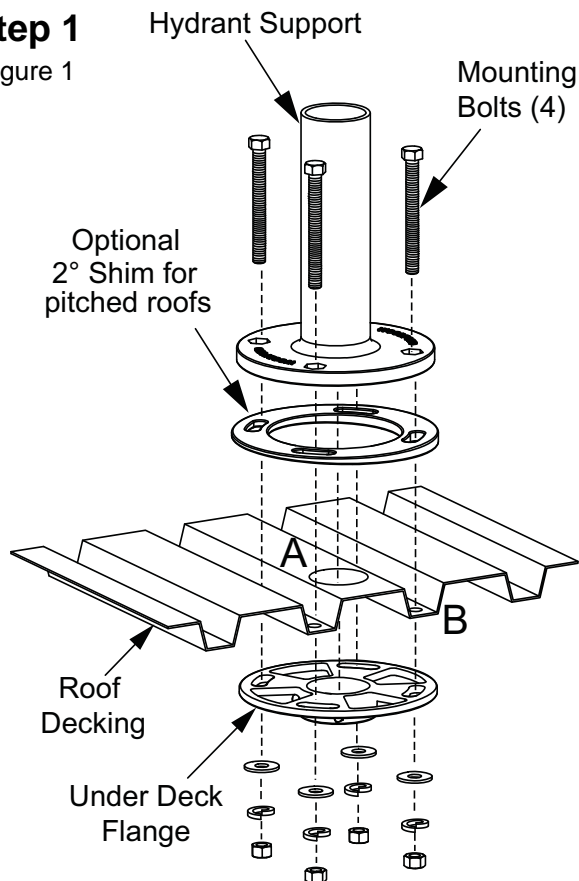
To view our complete product line visit: www.woodfordmfg.com or email: sales@woodfordmfg.com

A Division of WCM Industries, Inc.

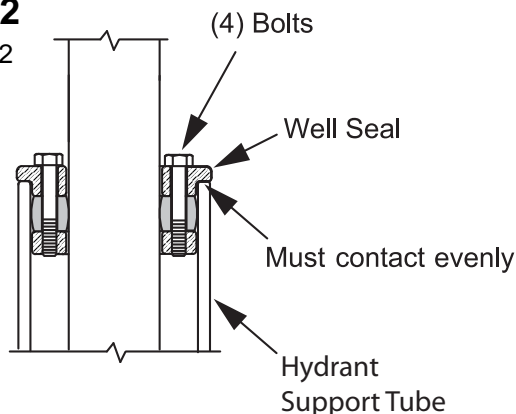
RHMS Mounting System

Rev 06/10 Form No. IIRH.102

Step 1 Figure 1



Step 2 Figure 2



STEP 1 Figure 1

1. Set Hydrant Support in desired location on roof decking.
2. Transfer (5) hole locations using Hydrant Support flange as a template.
3. Set aside Hydrant Support and cut (1) 3" hole for the hydrant (A) and drill (4) 11/16" bolt holes (B) through roof decking.
4. Reposition Hydrant Support over holes in decking.
5. Drop (4) 5/8" X 6" Mounting Bolts through Hydrant Support flange. Heads should bottom in hex pockets.
6. From underneath roof decking, install Under Deck Flange. Position slots in Flange over the (4) bolts and secure with plain washers, lock washers and nuts.

STEP 2 Figure 2

7. Loosen, but do not remove, the (4) bolts on the Well Seal.
8. Install the hydrant through the top of the Hydrant Support.
9. Position the hydrant to desired height.
10. Slide the Well Seal down and seat into the Hydrant Support tube.
Make sure that the top of the Well Seal contacts the top of the tube evenly all around.
11. Tighten the four bolts evenly until hydrant pipe is clamped securely.
 - a. NOTE: Installer may desire to not tighten the well seal until supply and drain connections are attached.

INSTALLATION INSTRUCTIONS



For more information contact...

WOODFORD MANUFACTURING COMPANY

2121 Waynoka Road, Colorado Springs, Colorado 80915 • Phone: (800) 621-6032 • Fax: (800) 765-4115

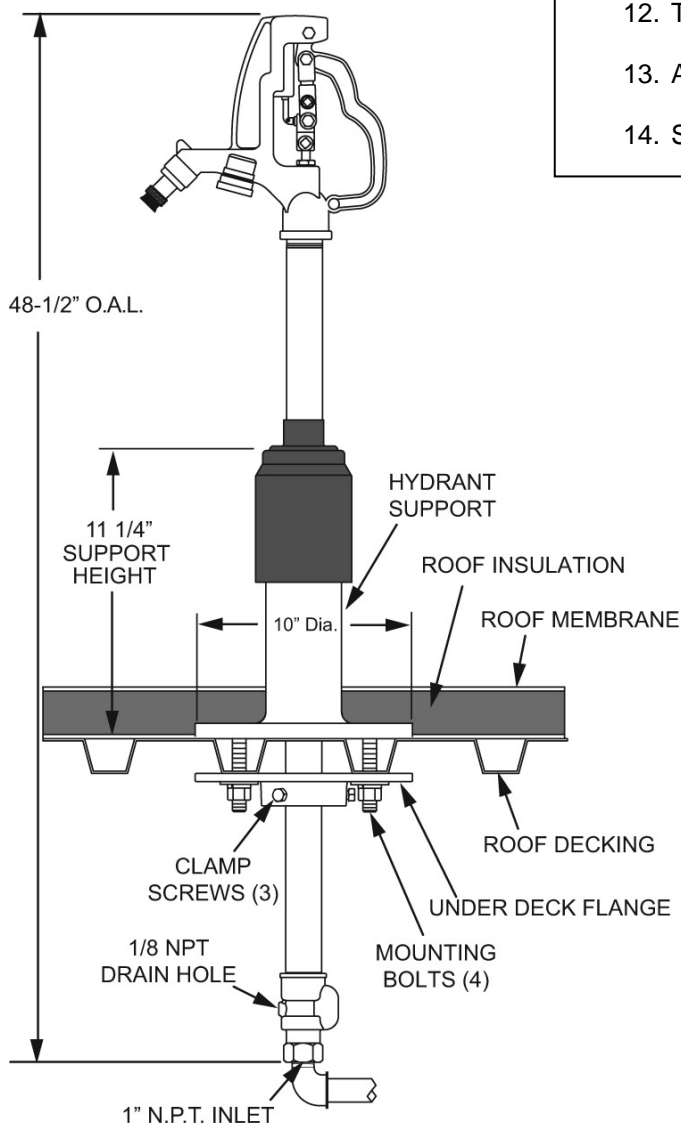
To view our complete product line visit: www.woodfordmfg.com or email: sales@woodfordmfg.com

A Division of WCM Industries, Inc.

RHY1-MS or RHY2-MS

Rev 06/10 Form No. IIRH.102

Roof Hydrant & Mounting System Rough-In



12. Tighten (3) Under-Deck Flange Clamp Screws.
13. Attach supply and drain lines.
14. Slide protective Boot down over Well Seal.